

DuraPost®

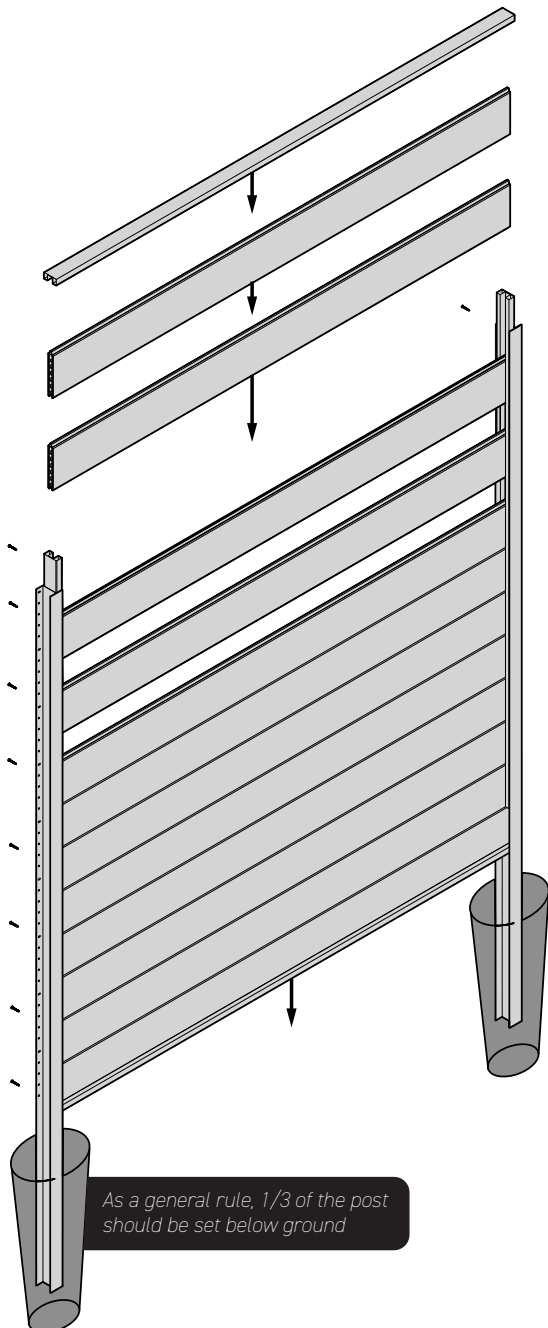
VISTA COMPOSITE PANEL

FITTING INSTRUCTIONS

- 1** Place bottom rail between DuraPost® 'Classic' posts. Fix through post, bottom rail and first board (tongue-up) allowing room to slide the side infills either side. (fig. A). *Important! Do not use impact driver. If there is no aligned hole in post, pre drill with a 5mm metal bit*

The bottom of the rail should be **1800mm** from the top of the post if you want a flat top finish. If using DuraPost® Post-Caps, then an additional **10-15mm** should be allowed.

- 2** Place side rails in posts and place remaining boards in the bay. We recommend fixing every other board (one either side).



- 3** Fit top rail. Align the top of the rail so it is flush with the tops of the posts and screw in place (fig. B).

Alternatively, allow **10-15mm** above the rail if fitting DuraPost® Post-Caps.

FIXINGS REQUIRED:

DuraPost® Pan-Head Self Drilling Screws (Colour Matched - 4x28mm)

B3SD4028A, B3SD4028B, B3SD4028G or B3SD40283 (Bag 16) - recommended: 1 bag per panel

B3S40028A, B3S40028B, B3S40028G or B3S400283 (Box 100)

